



PROQUIP SUPPLY FZCO

بروکویب سیلای ش م ح

Licence No: 06411

PROFORMA INVOICE

SELLER: Proquip Supply FZCO

ADD: No125 , LOB 10,Jebel Ali free Zone Dubai, U.A.E

TELL: 00971502244518

PROFORMA NUMBER: PEQE211214A-1400-176

PROFORMA DATE:02/08/2022

PURCHASER:Fanavari Tajhizat Sarechahi Co(WETCO)

ADD:No.5 , Nikray,Shams Tabrizi St.,Mirdamad Blvd.,Tehran

TELL: 00982126405818

ITEM	HS CODE	DESCRIPTION OF GOODS	QTY (PCS)	UNIT PRICE (AED)	TOTAL PRICE (AED)
1	84813000	CHECK VALVE, SWING TYPE 5-1/8" 5000 PSI FLANGE X FLANGE, API 6A FF, PU, PSL-3G, PR-2 BODY & BONNET MATERIAL: AISI 410 TRIM MATERIAL: AISI 410 + STELLITE OVERLAYING	1	AED 25,484	AED 28,484
			1		AED 28,484

TERMS OF PEYMENT: 100% BEFORE SHIPMENT

DELIVERY TIME: Around 4 to 6 weeks as soon as order confirmed

PACKING TYPE: CARTOON

TERMS OF SHIPMENT: EXW

VALIDITY: 2023/11/09

COUNTRY OF ORIGIN: CHINA

PARTIAL SHIPMENT: PERMITTED

HS CODE: 84813000

DESTINATION PORT: BANDAR ABBAS OR IKA

SHIPMENT PORT: CHINA OR EMIRATE

SHIPPING METOD: AIR OR SEA

TOTAL NET WEIGHT:510 kg

TOTAL GROSS WEIGHT: 550 kg

BENEFICIARY: EMIRATE

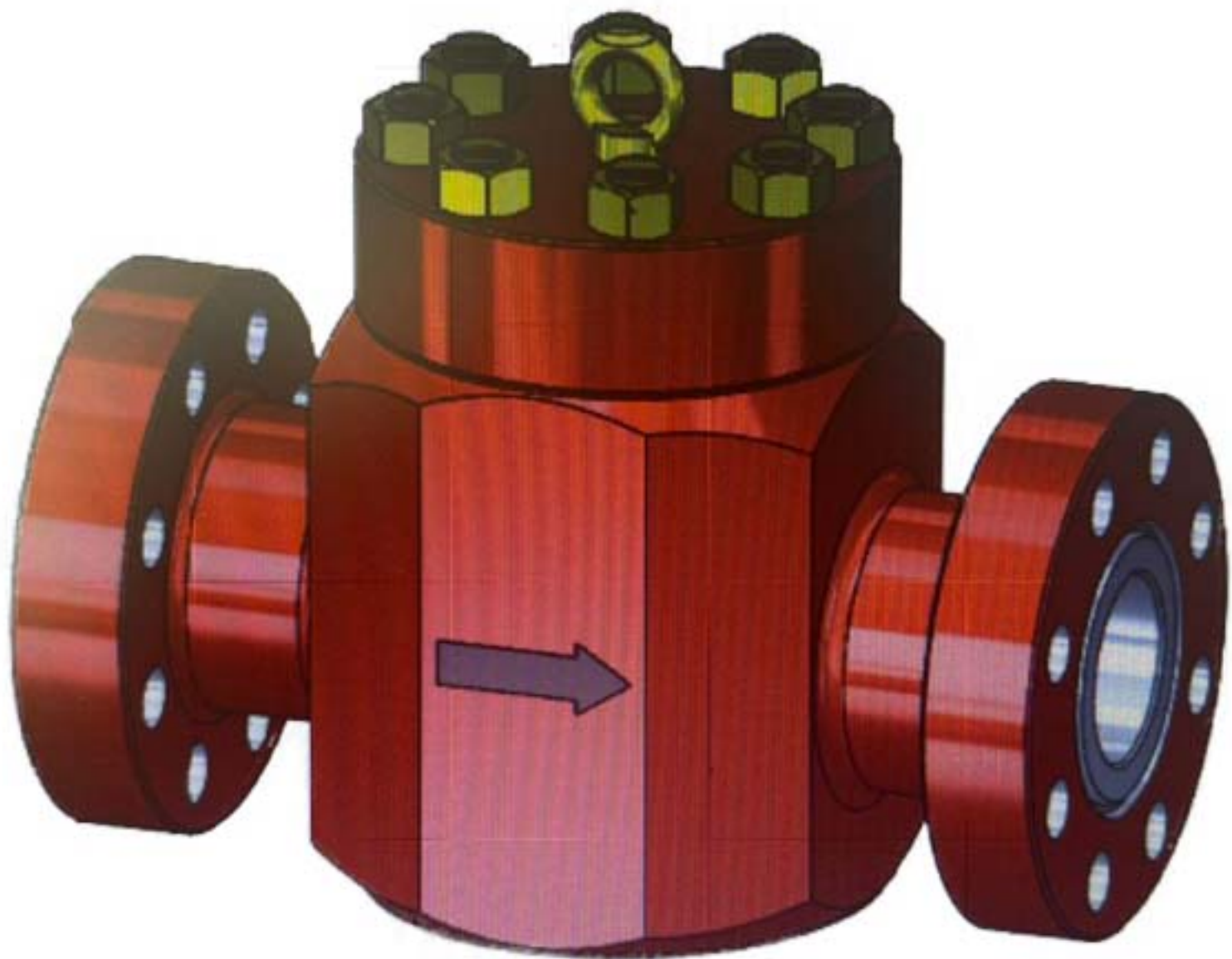
SHIPPING TYPE: VESSEL OR AIRPLANE


بروکویب سیلای ش م ح
PROQUIP SUPPLY FZCO

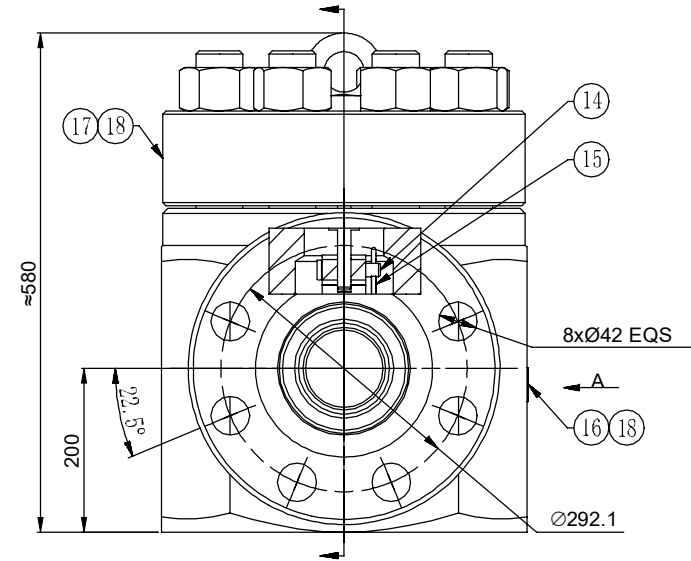
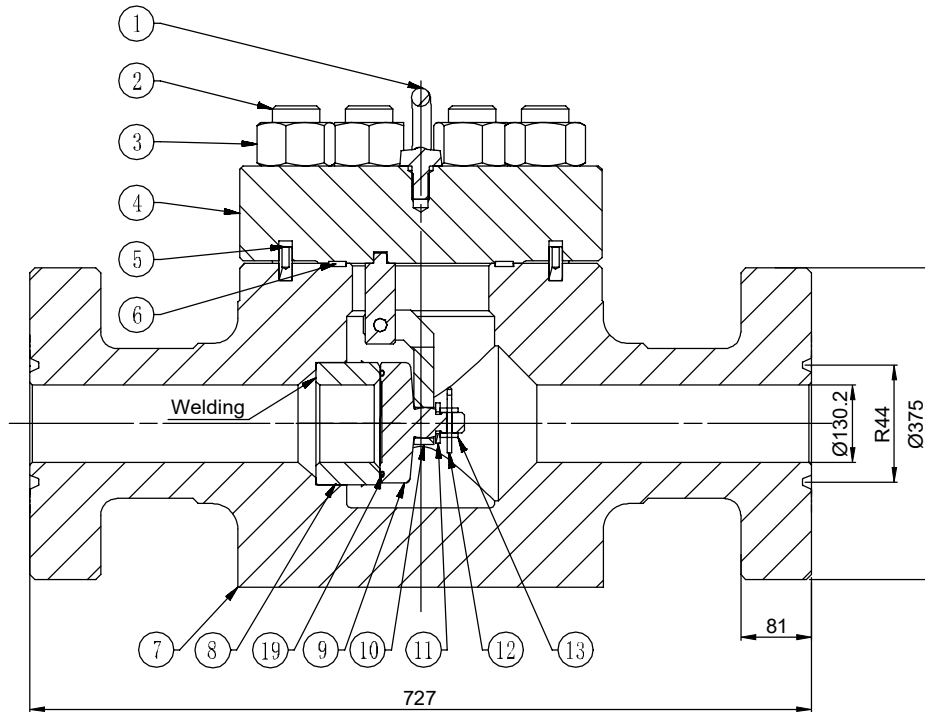
PROQUIP SUPPLY FZCO

FORMED PURSUANT TO LAW NO. 2 OF 1986 & IMPLEMENTING
REGULATION NO. 1 OF 1999 WITH LIMITED LIABILITY

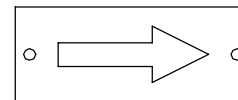
شرکه ذات مسئولیت محدودہ تاسست بموجب القانون رقم ۲
سنه ۱۹۸۶ و وفقا للاتجاه التنفيذية رقم ۱ سنه ۱۹۹۹



UNITS:MM



VIEW A



Item	Part Name	Material	Qty.
1	Lift Screw	Carbon Steel	1
2	Stud	ASTM A320 B7M	8
3	Nut	ASTM A194 2HM	8
4	Bonnet	AISI 410	1
5	Pin	Stainless Steel	2
6	Sealing Ring	Stainless Steel	1
7	Body	AISI 410	1
8	Seat	AISI 410+STL.6	1
9	Disc	AISI 410+STL.6	1
10	Arm	Stainless Steel	1
11	Washer	Stainless Steel	1
12	Pin	Stainless Steel	1
13	Nut	Stainless Steel	1
14	Pin	Stainless Steel	1
15	Pin	Stainless Steel	1
16	Flow Arrow	Stainless Steel	1
17	Nameplate	Stainless Steel	1
18	Rivet	Stainless Steel	6
19	O-Ring	Viton AED	1

- Production Specification
1. Working Temperature Rating: PU;
 2. Material Class: FF;
 3. Production Specification Level: PSL3G;
 4. Performance Requirement: PR2;
 5. Basic Design: API 6A, NACE MR0175.

Proprietary Information
 THIS DOCUMENT CONTAINS CONFIDENTIAL AND TRADE SECRET INFORMATION WHICH IS THE PROPERTY OF NEWAY. A DIVISION OF NEWAY CORPORATION AND RECEIPT OR POSSESSION DOES NOT CONVEY ANY RIGHTS TO LOAN, SELL OR OTHERWISE DISCLOSE SAID INFORMATION. REPRODUCTION OR USE OF SAID INFORMATION FOR ANY PURPOSE OTHER THAN WAS SUPPLIED IS PROHIBITED WITHOUT EXPRESS WRITTEN PERMISSION FROM NEWAY. THIS DOCUMENT IS TO BE RETURNED TO NEWAY UPON REQUEST OR UPON COMPLETION OF THE PURPOSE FOR WHICH IT WAS SUPPLIED.

Title
 Regular Swing Check Valve,5-1/8 5M,FLG

NW 纽威石油设备(苏州)有限公司
 NEWAY OIL EQUIPMENT (SUZHOU) CO.,LTD.

No.999 XiangJiang Road, Suzhou New District, PR China

Fig. No.	DG20211253	Rev.	A	Customer Name	N/A
Prepared By	Amy.wang	Date	2021.12.16	Project Name	N/A